

# TRACKWEIGHT™

ONBOARD TRUCK SCALE



# BRT5

LOAD MORE, DRIVE SAFE & SAVE MONEY

# EFFICIENCY DRIVEN BY ACCURACY

Loading trucks while having peace of mind can be a difficult task these days. Log books, traffic jam, overload fines are variables that trucks drivers have to take in consideration every minute they are on the road.

At TrackWeight, we want to take a load out off your mind by measuring accurately in real time, the weight being carried on your truck or tractor-trailer axials. The technologies we have developed measure the air pressure and deflections on your suspension with special sensors and high-tech electronic. At a glance, you see your load per axles group, front and rear weight totalized on your BRT 5 dash mount monitor.

Instantly, you know your loads. Your truck carries what's best for its mechanics and weighing stations are no longer a stress.

This is what we call at TrackWeight: **Efficiency driven by accuracy!**

## MONITOR FEATURES

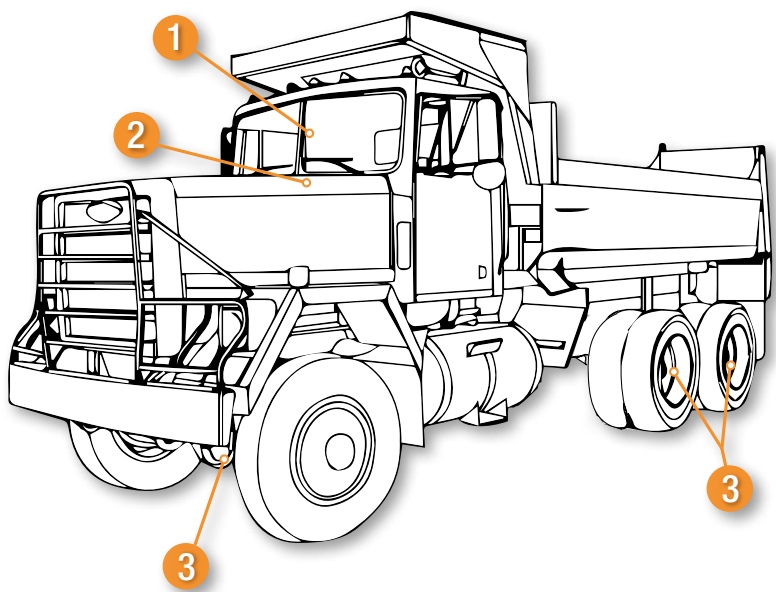
- High-tech & compact design
- Oversize buttons
- Easy-to-read display
- Automatic brightness
- Easy to position



The monitor shows a large digital display with the following information: 'Total 25250', 'Steer 7250 | Drive 18000', and 'TRACKWEIGHT.COM' at the bottom. It has three large navigation buttons on the right side.



## WEIGHING CONCEPT



- 1 - In-cab monitor
- 2 - Communication box installed under the dashboard
- 3 - Sensors installed on axles or in-cab

### Options

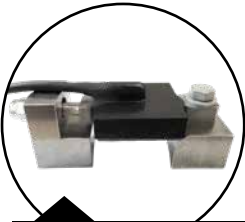
- Printer
- LED Lights

### Sensors

The load sensors are installed on the suspension (air, spring or beams) and send weight data to the BRT 5 in real time.



TRW air



TRW mechanical



TRW 5th wheel



**NEW**

## PRODUCT FEATURES

Accuracy	0 ± 1 % *
Languages	English, French
Units	Kg, Lbs
Limited warranty	3 years
Password menu protection	Yes
Backlighting	Self-adjust or Auto
Axles/Combined axles weight	Yes
Gross/Net vehicle weight	Yes
Customizable main screen	Yes
Loading alarms by axle	Yes
Truck/Trailer configuration	10
Number of channels	4
Telemetry RS232 port	Yes
Sensor reading capabilities	Air, mechanical

### Options Available

Up to 8 channels	Optional
External LED loading lights	Optional
Lighted keyboard	Optional
Stainless mounting kit sensor	Optional
Thermal printer	Optional
RAM mount available	Optional

\*On approved applications.



Standard mount included for an easy installation in the cab.

## TECHNICAL SPECIFICATIONS

Monitor size	11.1 x 7.5 x 2.5 cm (4.4 x 3 x 1 in)
Monitor weight	132 g (4.7 oz)
Communication box size	15 x 8 x 5 cm (5.9 x 3.1 x 2 in)
Communication box weight	288 g (10 oz)
Power supply	12 or 24 VDC



Dump truck

## TRUCK APPLICATIONS



Vacuum



Tractor-trailer



Roll-off



# ABOUT TRACKWEIGHT™

## Accuracy, Durability and Innovation

We understand your business and industries. Efficiency is a key factor to succeed. Inside each TrackWeight product, electronic components are industrial grade only and must respect tight specifications sustaining the toughest temperature and vibrations conditions. We design and manufacture our own mechanical sensor and also use high-end air, loadcell and angle sensors to best fit your truck suspensions and application.

## The Power of People

Our team is passionate about its work and elevates each product feature to give the best experience to truck drivers. When ideas and suggestions are brought to our attention, it has all our consideration. We build products for customers, not for us. We think differently and this is what gives TrackWeight a unique approach to onboard weighing for trucks and trailers.

## Join Our Movement

Learning more about us is easy. Visit [trackweight.com](http://trackweight.com) or contact us at: 1-800-648-8132. If you are a suspension shop, on-site repair, distributor, manufacturer or software developer, we are always looking to expand our network and add new features for our customer. Join our movement, join TrackWeight.



TrackWeight Headquarter



High-tech design



Happy customers!

TrackWeight dealer

**Manufactured by:**  
TrackWeight Systems Inc.  
30 Emilien-Marcoux, Suite 101  
Blainville, Quebec J7C 0B5  
Canada

450-951-2862  
[trackweight.com](http://trackweight.com)